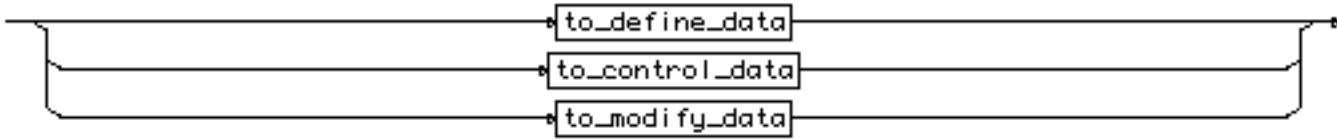


sql_command

```
sql_command ::= to define data  
            | to control data  
            | to modify data
```

sql_command



[\[rule list\]](#)

to_define_data

```
to_define_data
  ::= alter\_command
  | comment\_command
  | create\_command
  | drop\_command
  | rename\_command
  | analyze\_command
  | explain\_command
```

to_define_data



[\[rule list\]](#)

This rule is call by

[sql_command](#)

to_modify_data

to_modify_data

- ::= [select_command](#)
- | [insert_command](#)
- | [update_command](#)
- | [delete_command](#)
- | [truncate_command](#)
- | [transaction_command](#)
- | [set_transaction_command](#)
- | [lock_command](#)

to_modify_data



[\[rule list\]](#)

This rule is call by

[sql_command](#)

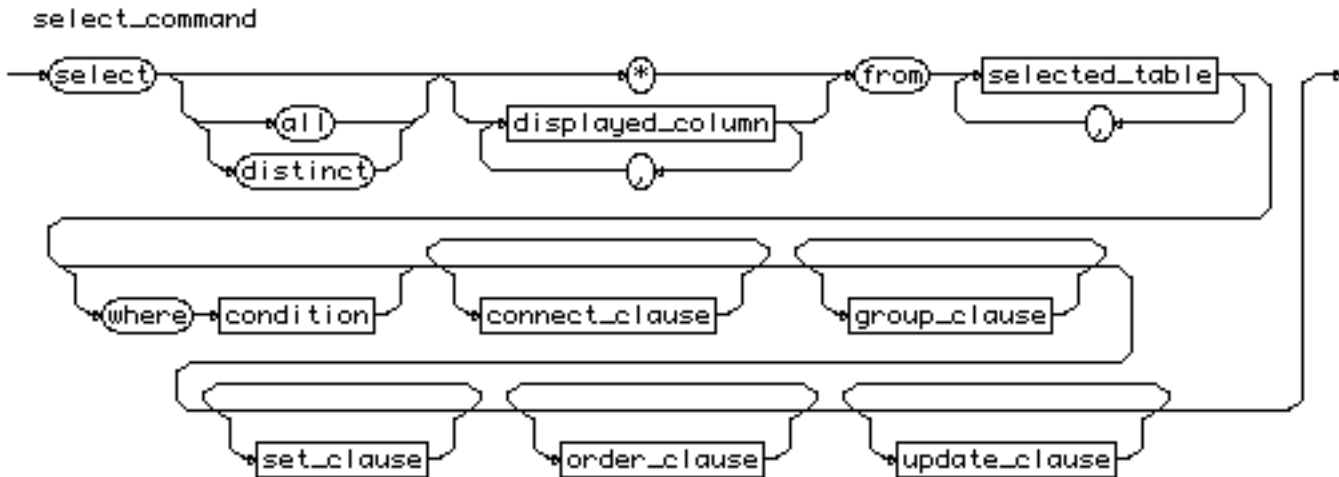
select_command

select_command

```

 ::=
 "select" [ "all" | "distinct" ]
 ( "*" | ( displayed\_column { "," displayed\_column } ) )
 "from" ( selected\_table { "," selected\_table } )
 [ "where" condition ]
 { connect\_clause }
 { group\_clause }
 { set\_clause }
 { order\_clause }
 { update\_clause }

```



[\[rule list\]](#)

This rule is call by

[explain_command](#)

[query](#)

[set_clause](#)

[subquery](#)

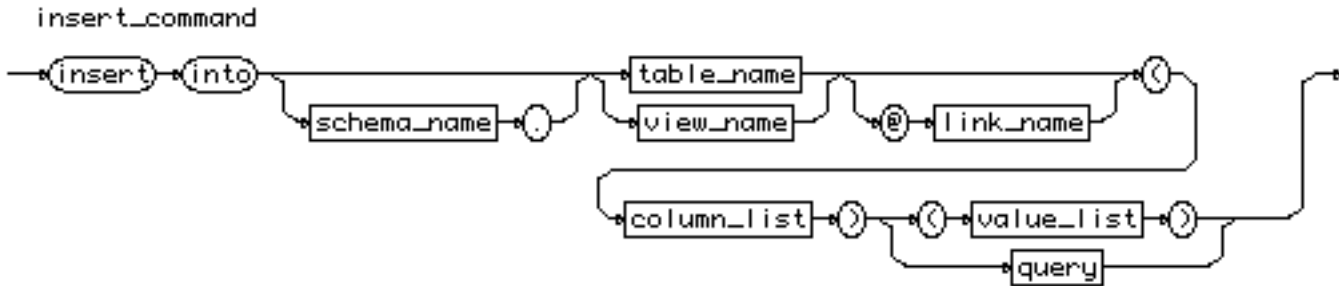
[to_modify_data](#)

insert_command

insert_command

::=

```
"insert" "into" ( [ schema\_name "." ]
( table\_name | view\_name ) [ "@" link\_name ] )
"( " column\_list ")"
( ( " (" value\_list ")" ) | query )
```



[\[rule list\]](#)

This rule is call by

[explain_command](#)

[to modify data](#)

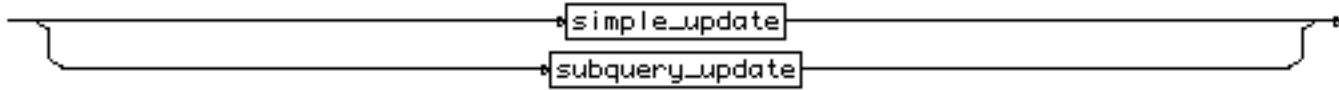
update_command

update_command

::=

[simple_update](#) | [subquery_update](#)

update_command



[\[rule list\]](#)

This rule is call by

[explain_command](#)

[to modify data](#)

simple_update

simple_update

::=

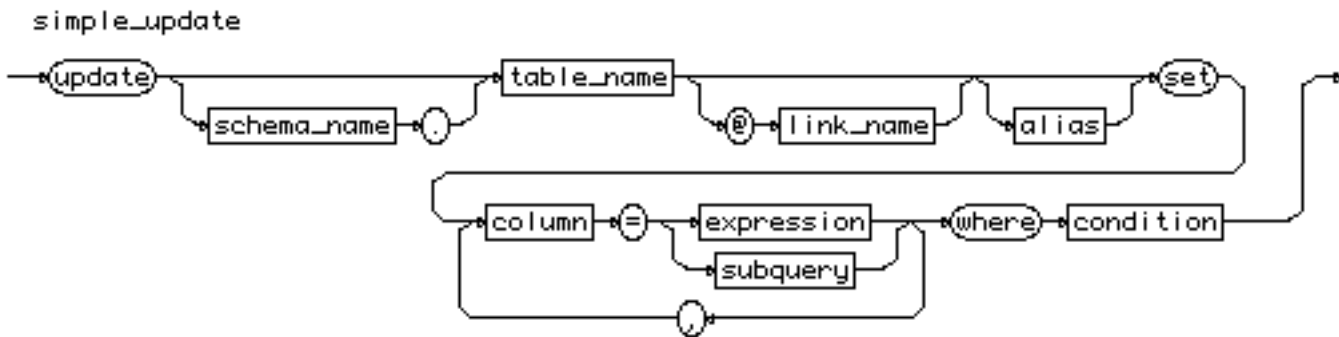
"update" [[schema_name](#) "."] [table_name](#) ["@" [link_name](#)]

[[alias](#)]

"set" [column](#) "=" ([expression](#) | [subquery](#))

{ ", " [column](#) "=" ([expression](#) | [subquery](#)) }

"where" [condition](#)



[\[rule list\]](#)

This rule is call by

[update_command](#)

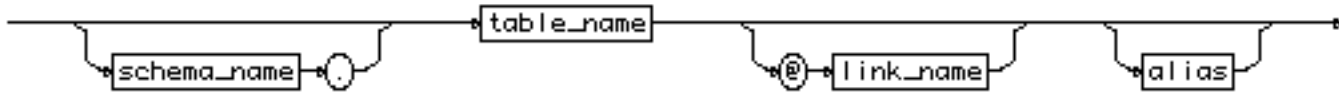
selected_table

selected_table

::=

[[schema_name](#) "."] [table_name](#) ["@" [link_name](#)] [[alias](#)]

selected_table



[\[rule list\]](#)

This rule is call by

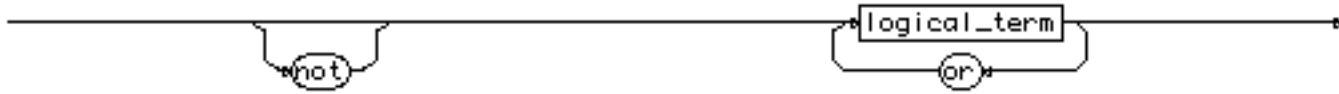
[select_command](#)

condition

condition

```
::= [ "not" ] logical_term  
{ "or" logical_term }
```

condition



[\[rule list\]](#)

This rule is call by

[connect_clause](#)

[def column constraint](#)

[def table constraint](#)

[delete command](#)

[group clause](#)

[logical_factor](#)

[select_command](#)

[simple update](#)

[subquery update](#)

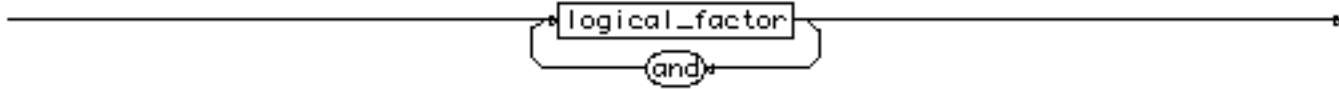
[trigger when](#)

logical_term

logical_term

```
::= logical\_factor { "and" logical\_factor }
```

logical_term



[\[rule list\]](#)

This rule is call by

[condition](#)

logical_factor

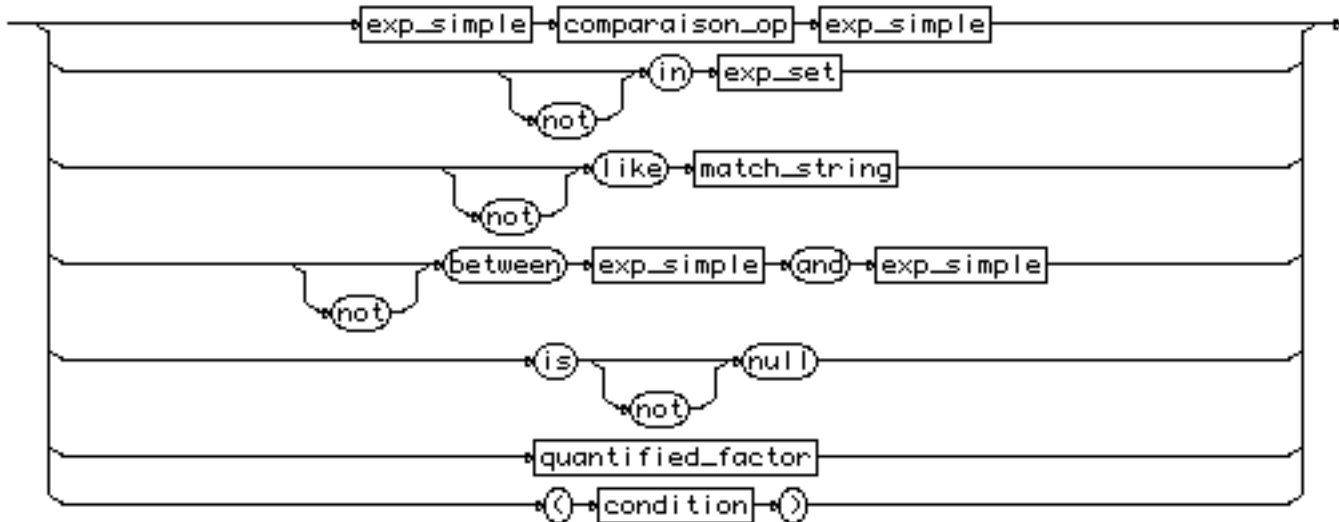
logical_factor

```

 ::=
 ( exp\_simple comparaison\_op exp\_simple )
 | ( [ "not" ] "in" exp\_set )
 | ( [ "not" ] "like" match\_string )
 | ( [ "not" ] "between" exp\_simple "and" exp\_simple )
 | ( "is" [ "not" ] "null" )
 | quantified\_factor
 | ( "(" condition ")" )

```

logical_factor



[\[rule list\]](#)

This rule is call by

[logical_term](#)